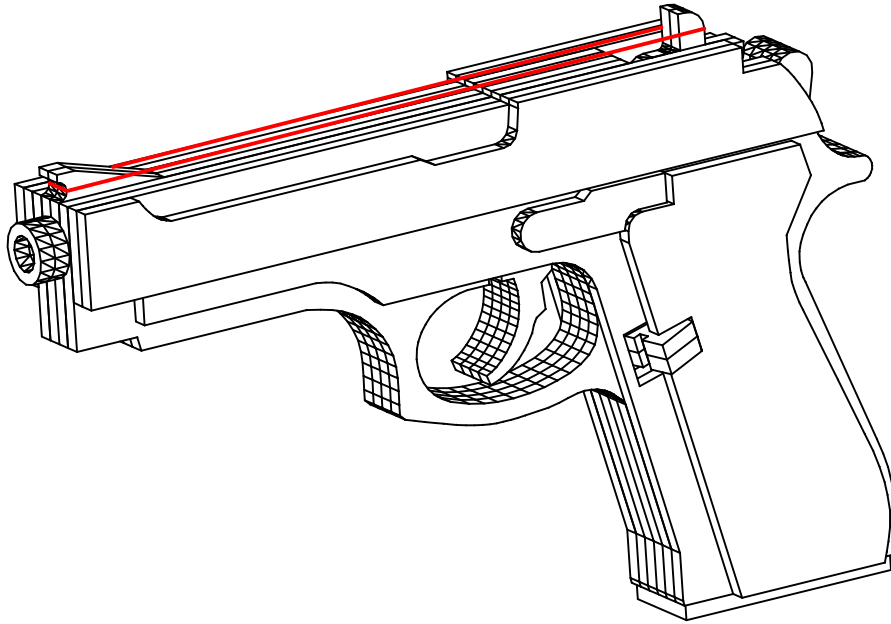


# M9 rubber band gun



## IMPORTANT!

This is a construction manual for making an harmless rubber band gun. You will make and use it on your own risk. If you don't agree, don't make this rubber band gun.

Please pay attention to laws concerning realistic imitation firearms in your country.

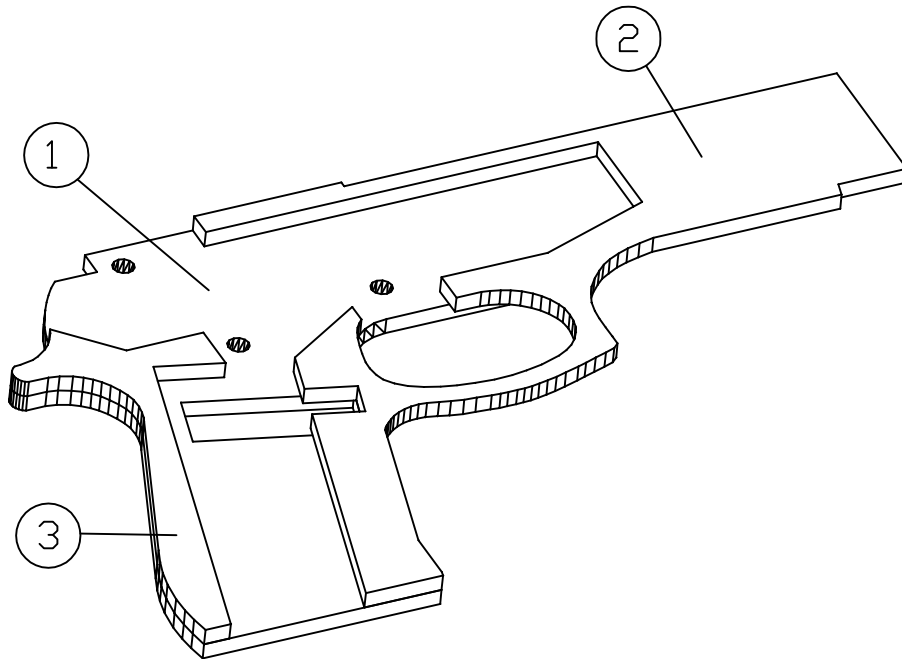
# Materials:

- 4mm plywood ca. 450x850mm
- 4mm dark hardwood ca. 150x200mm (grips)
- ø4mm hardwood dowel ca. 150mm
- 3x screw 3x20mm
- rubber bands ø40mm

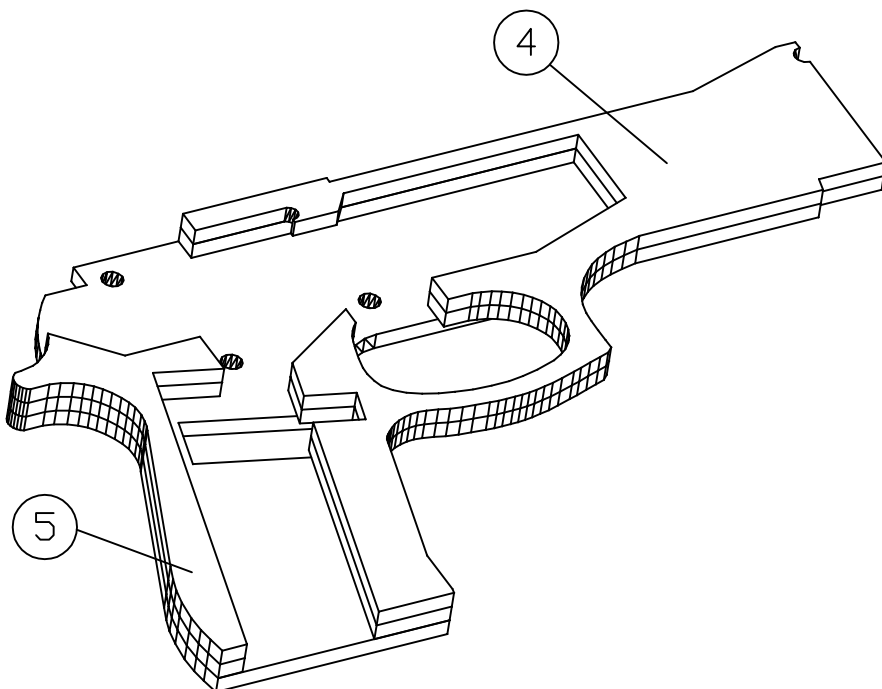
# Tools:

- scroll saw (fret saw)
- drill press (cordless drill)
- sandpaper
- wood glue
- screwdriver
- ø3, ø4, ø10 brad point drill

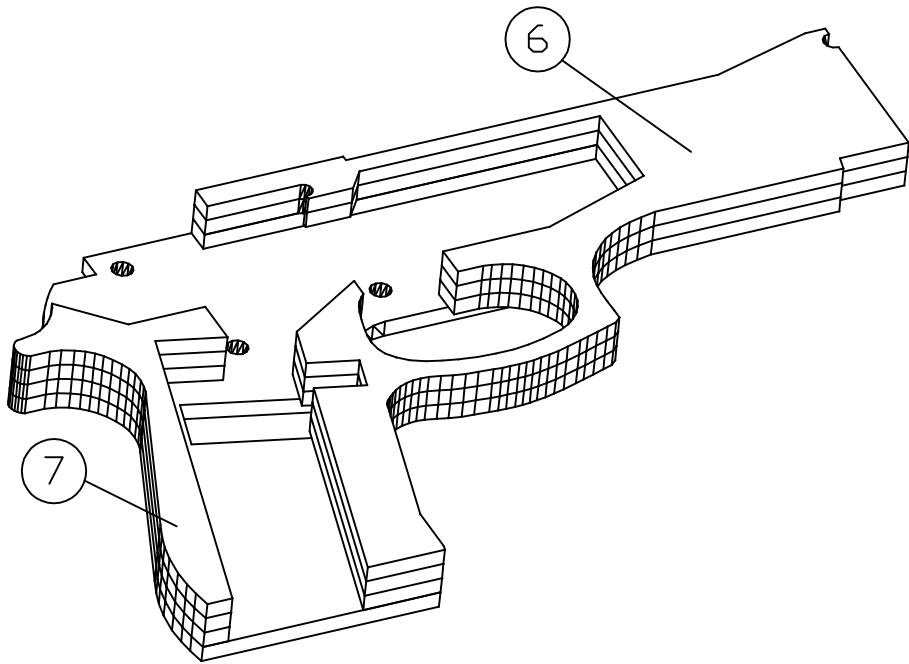
1



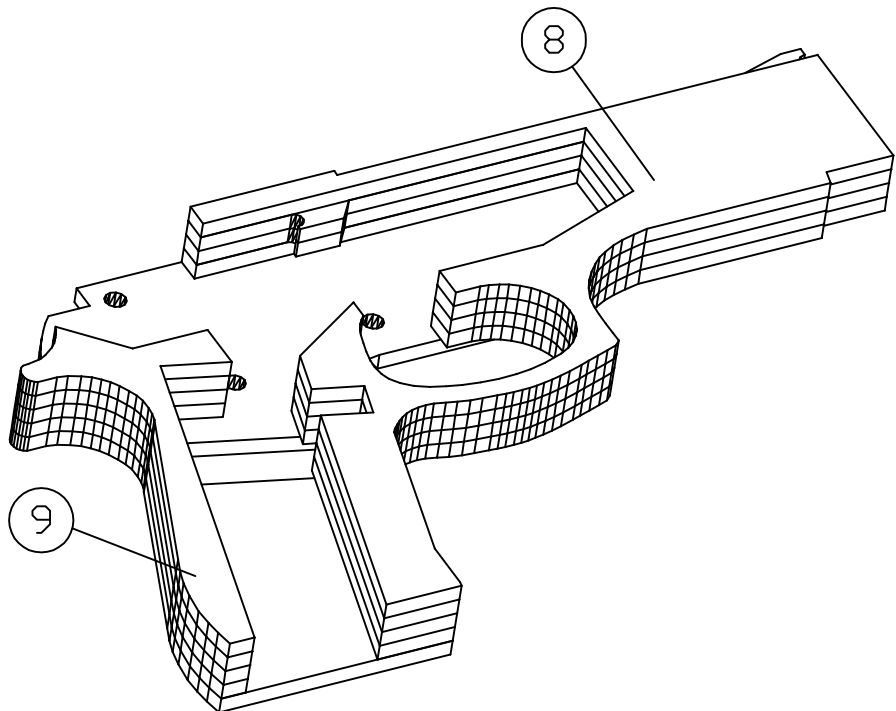
2



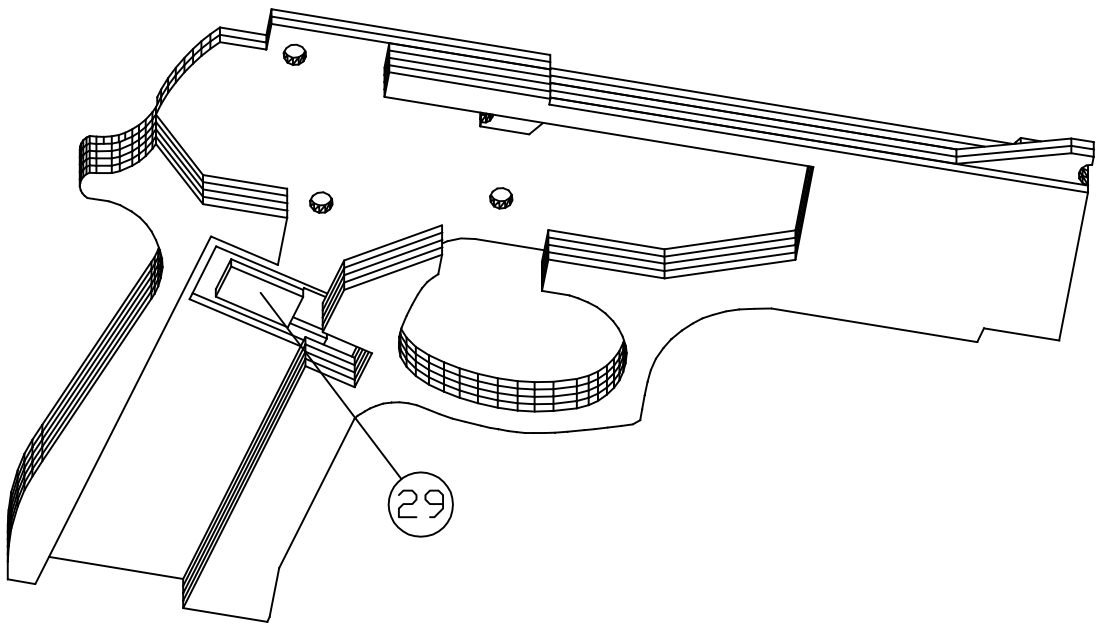
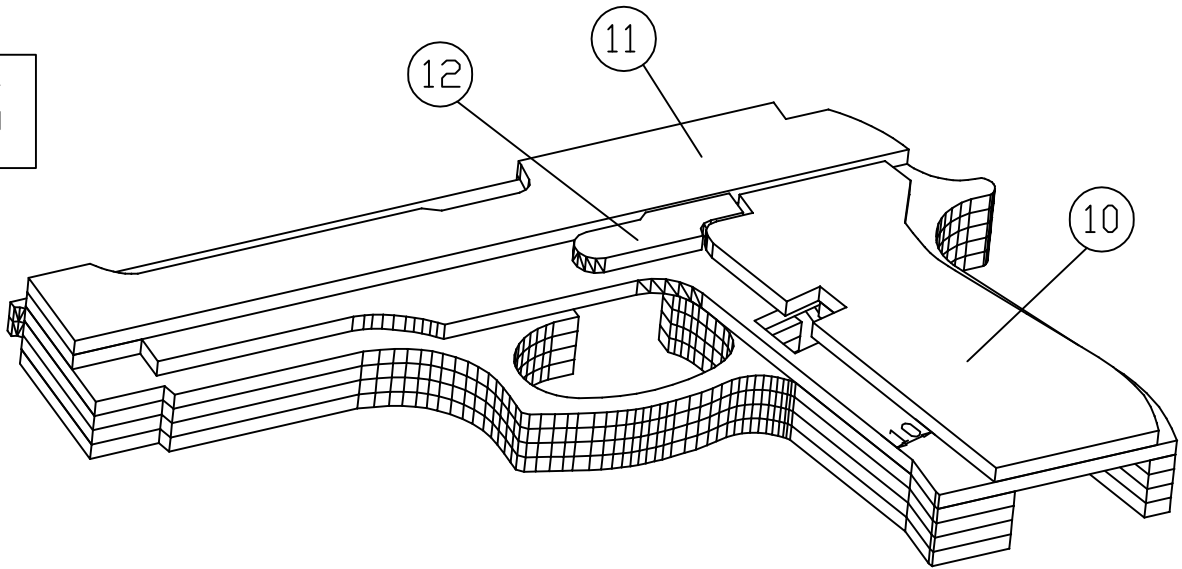
3



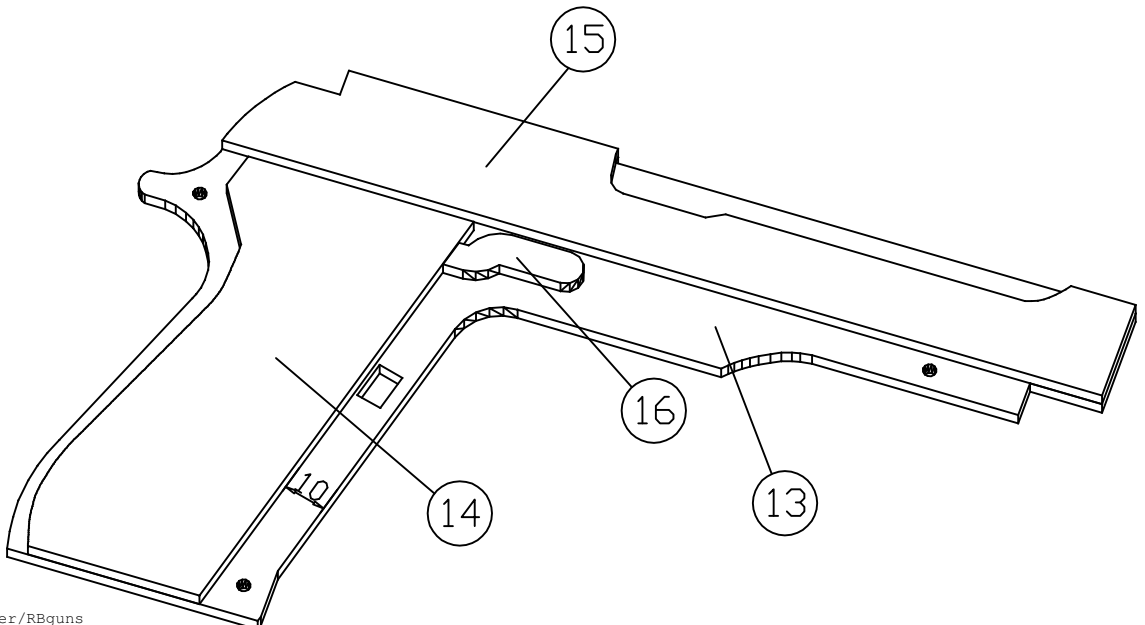
4



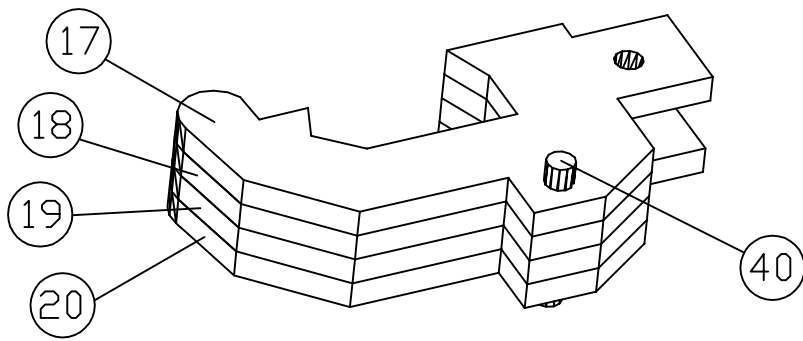
5



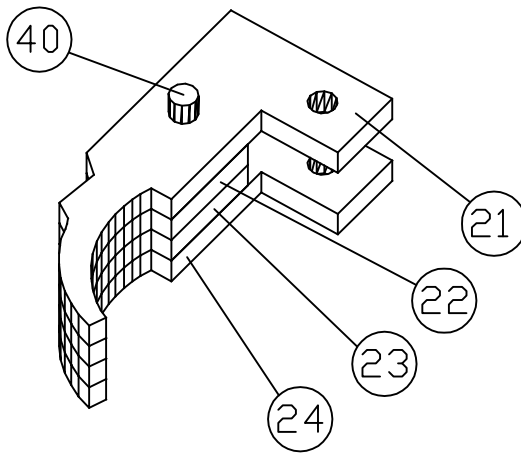
6



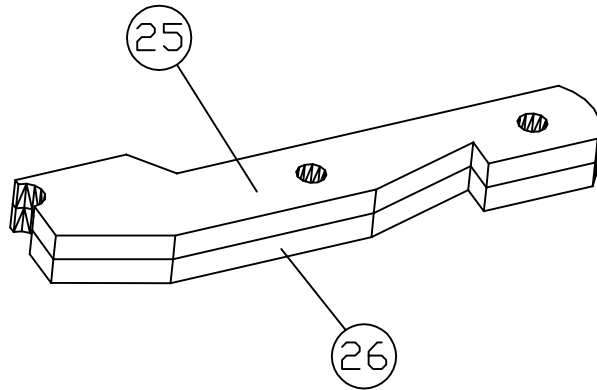
7



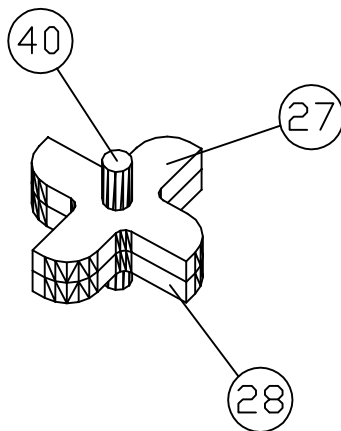
8



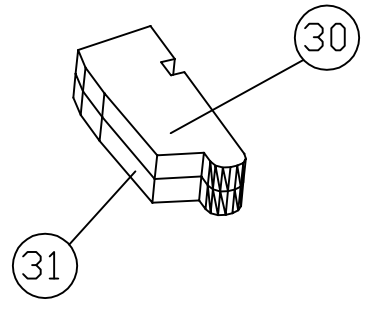
9



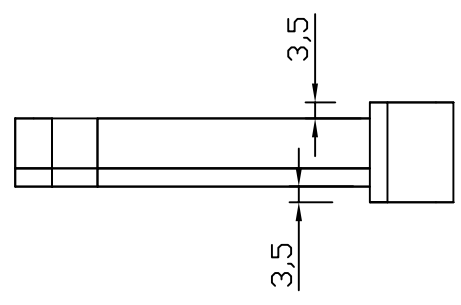
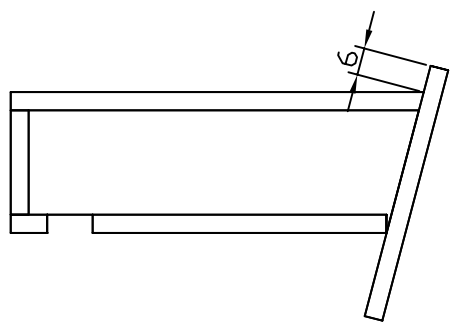
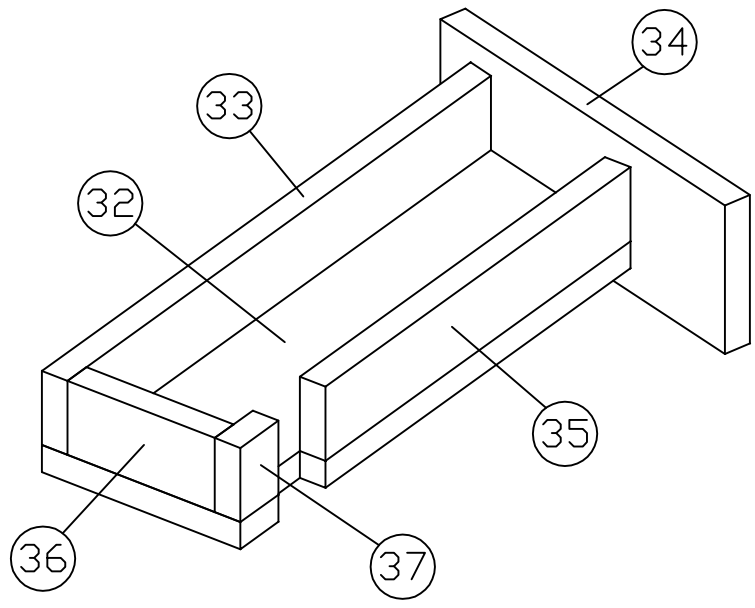
10



11

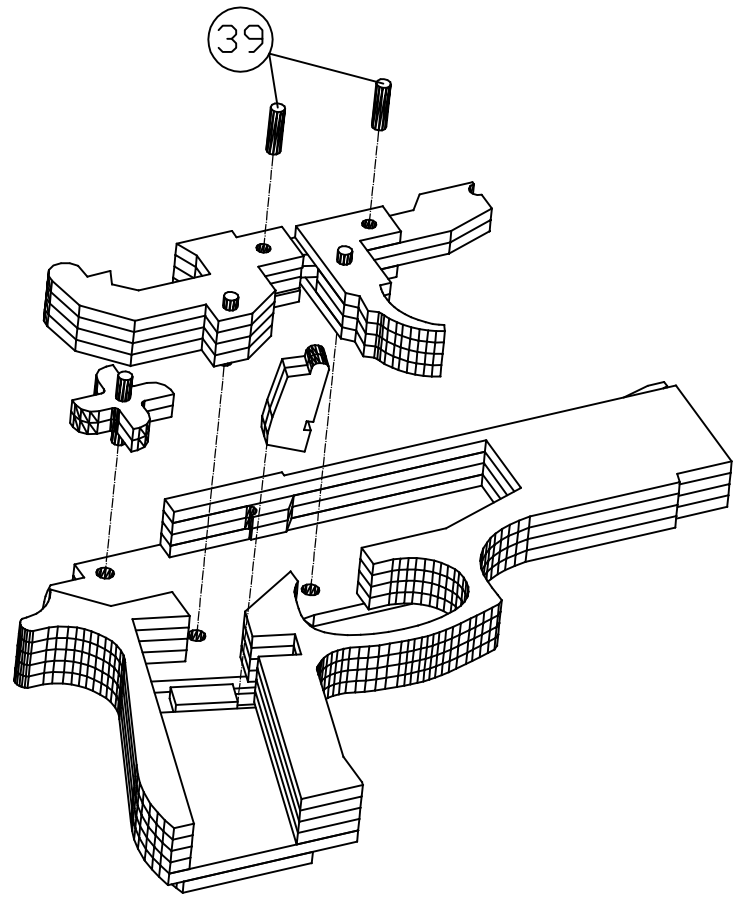


12

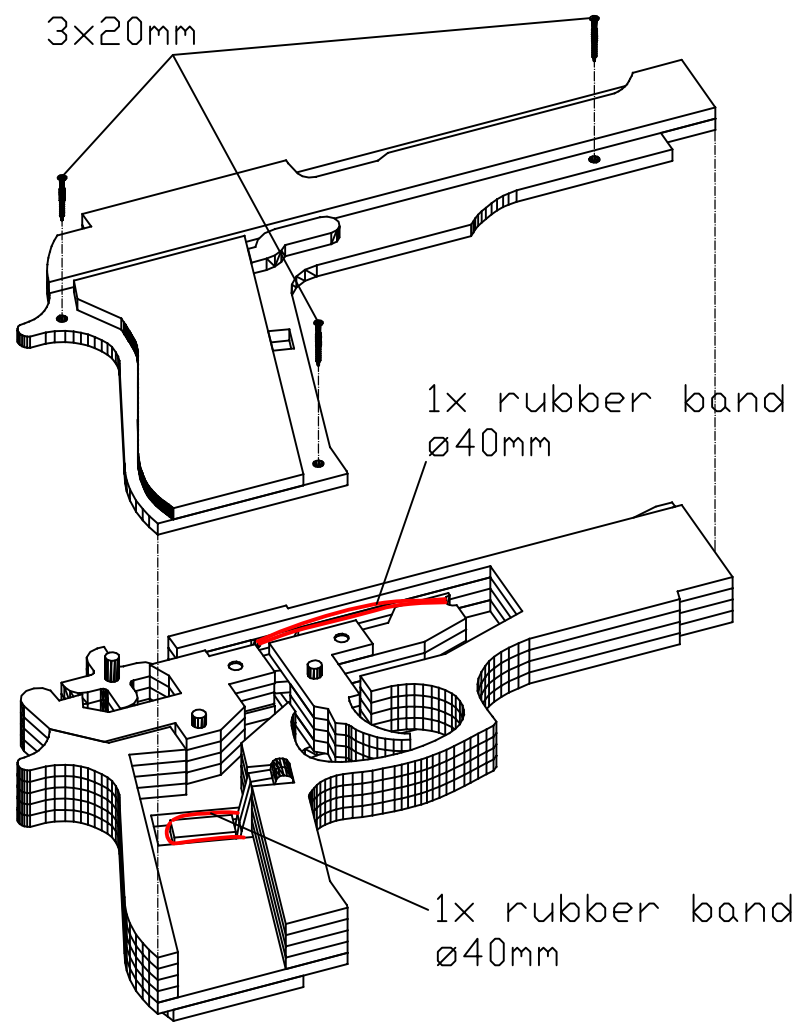




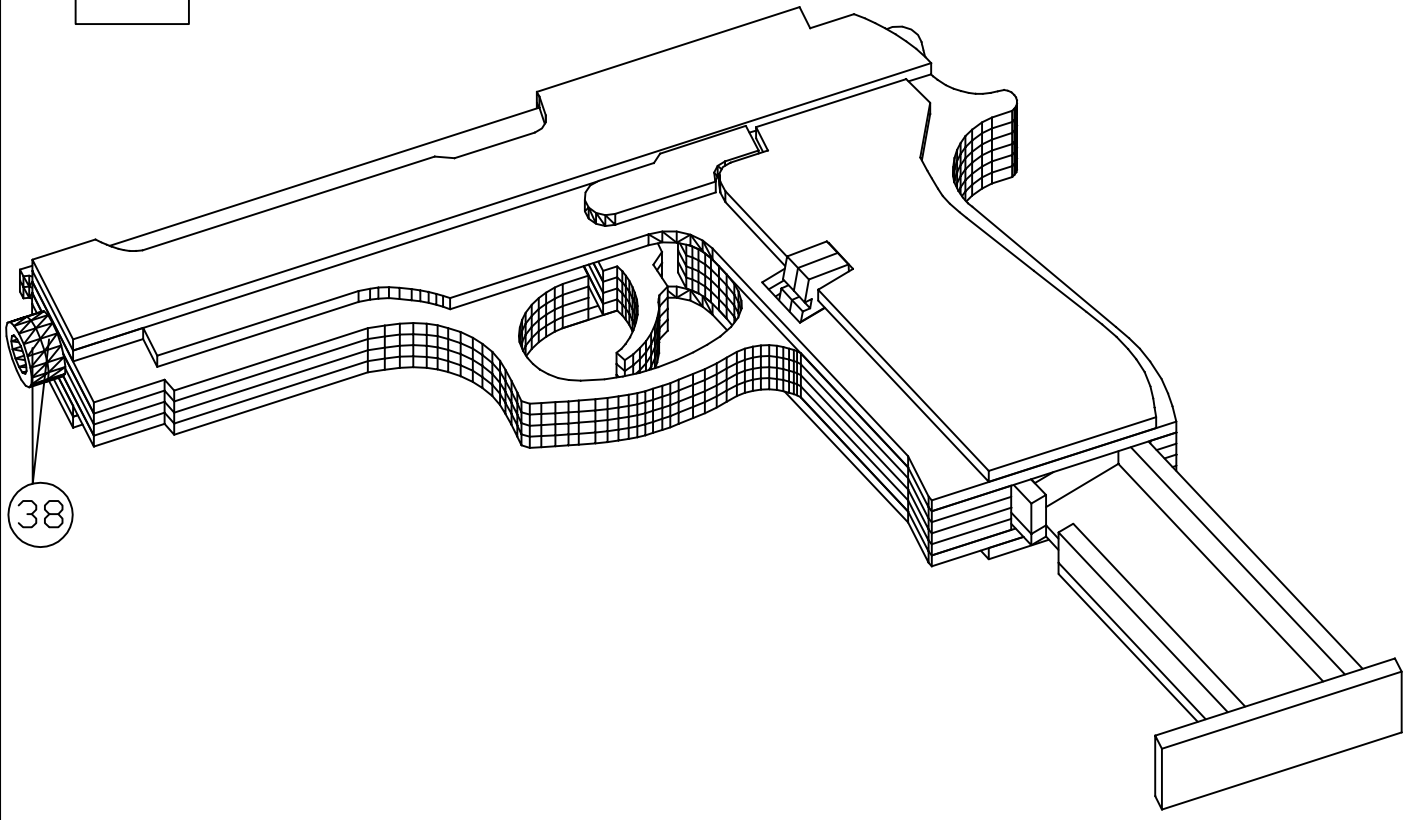
13



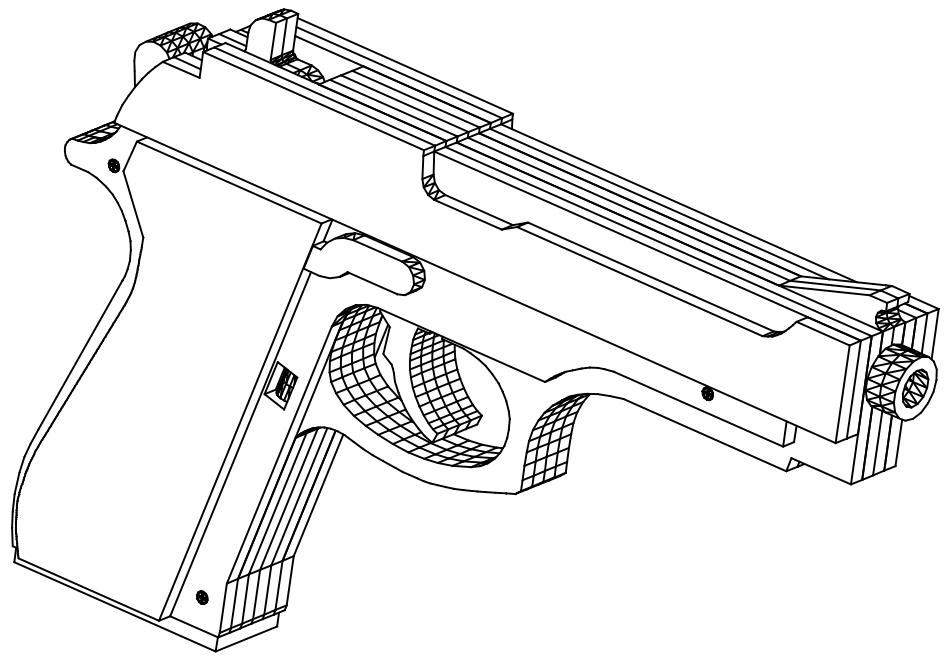
14

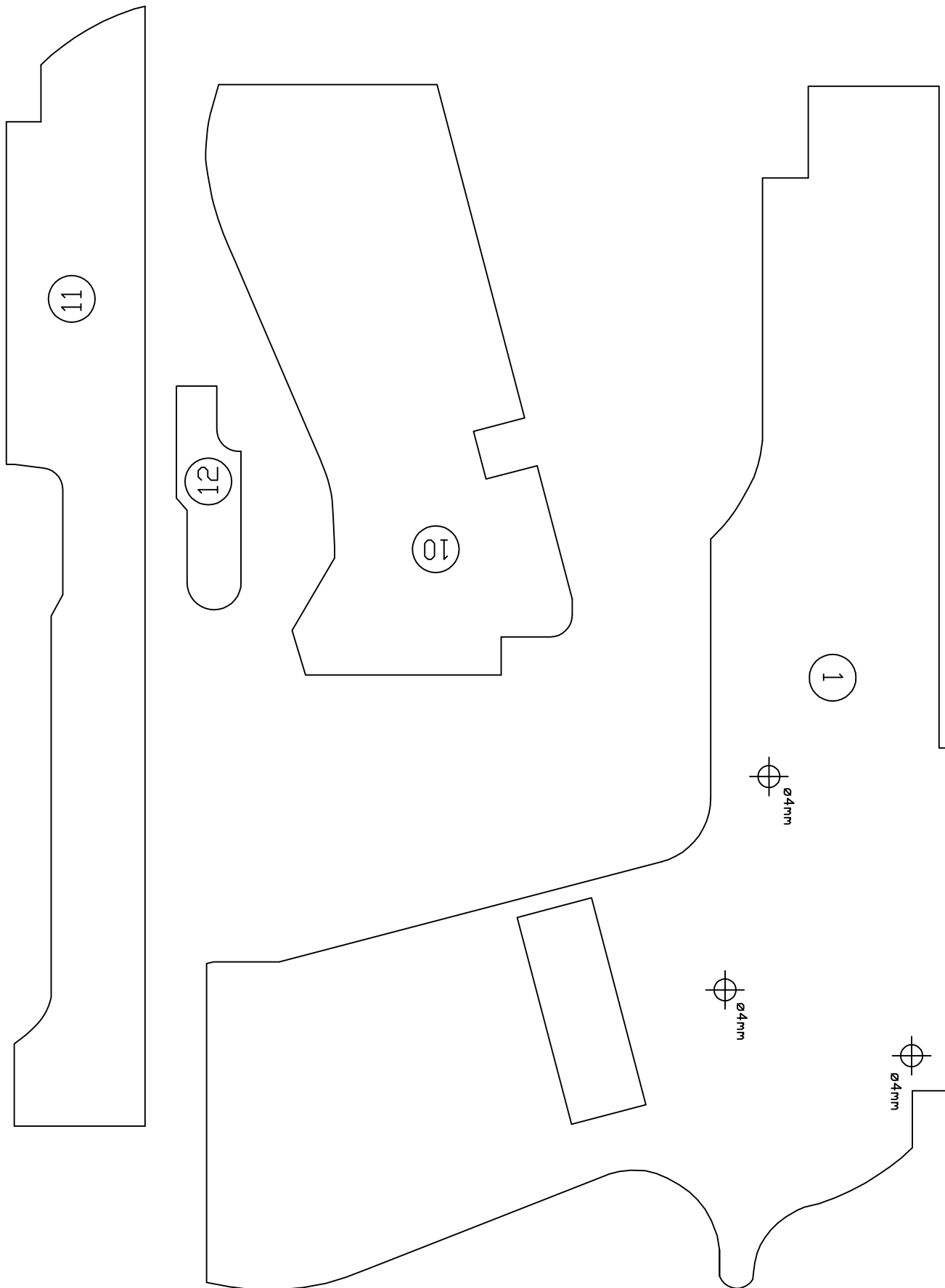


15



16





1

ø4mm

ø4mm

ø4mm

10

12

11

