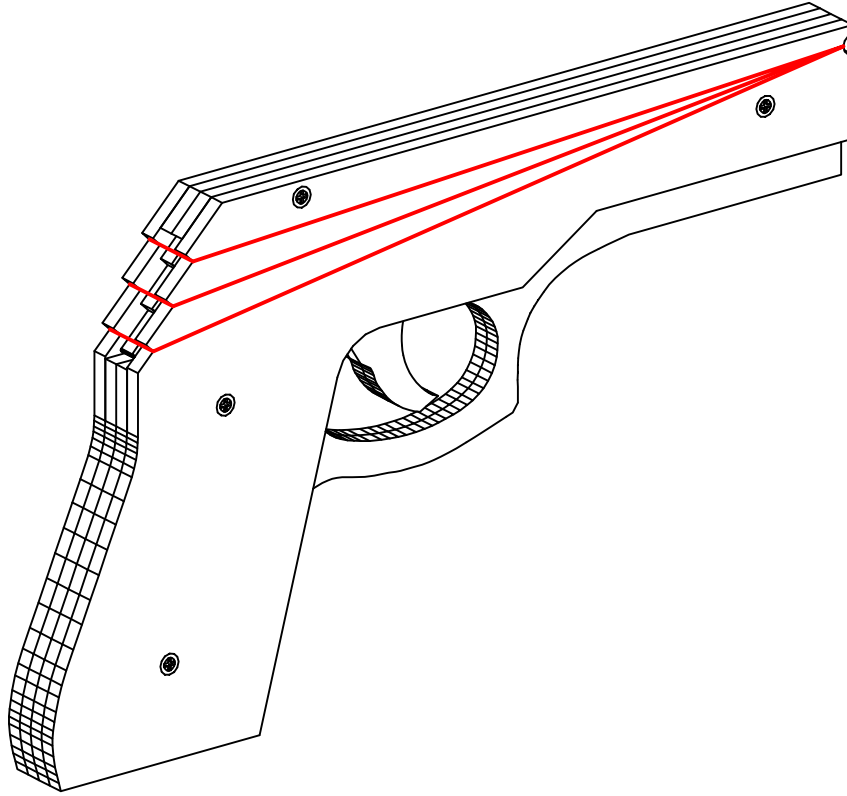


3 shot Step-up-action rubber band gun



IMPORTANT!

This is a construction manual for making an harmless rubber band gun. You will make and use it on your own risk. If you don't agree, don't make this rubber band gun.

Please pay attention to laws concerning realistic imitation firearms in your country.

Materials:

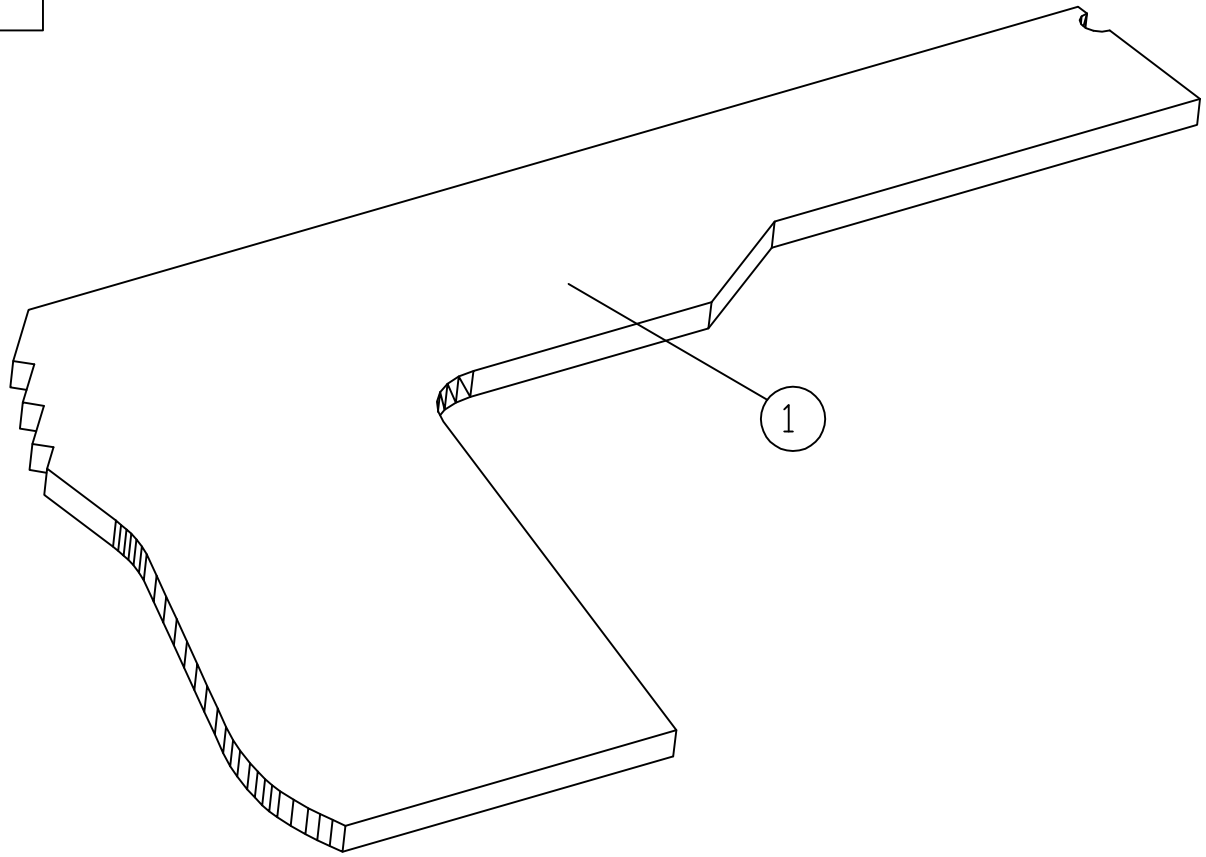
- 4mm plywood ca. 300x400mm
- 4x screw 3x12mm

- rubber bands ø40mm

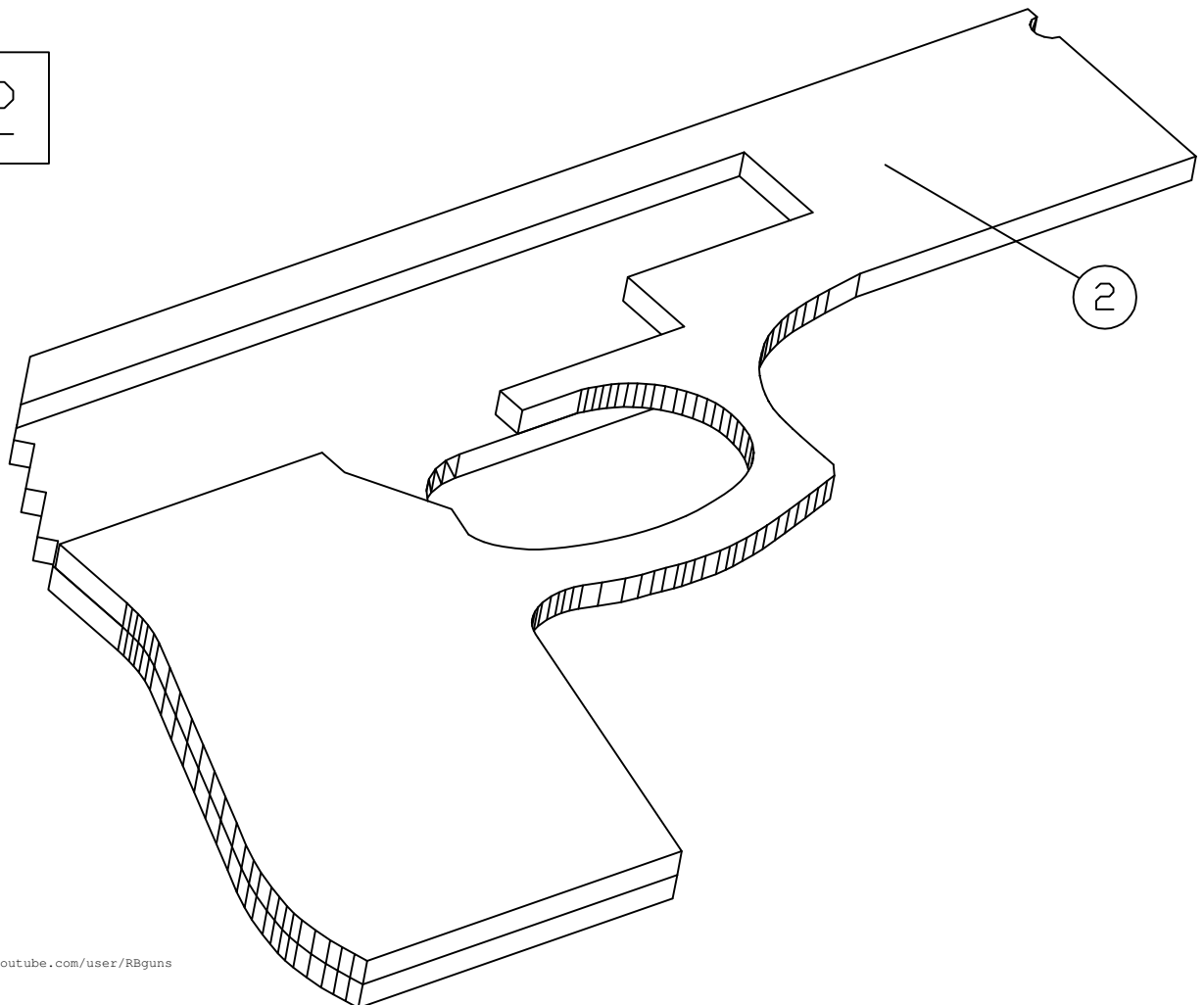
Tools:

- scroll saw (fret saw)
- cordless drill
- sandpaper
- wood glue
- screwdriver
- ø3 brad point drill

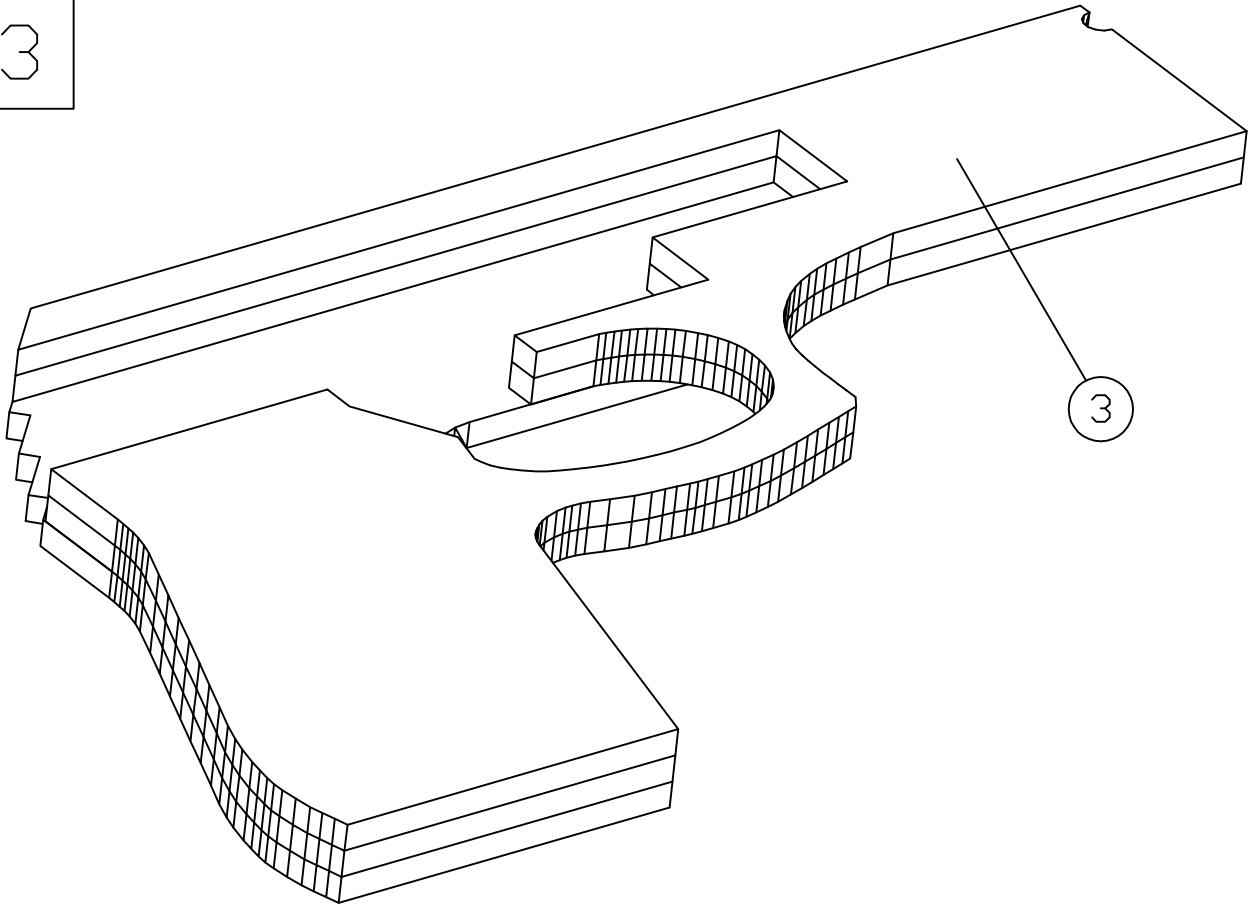
1



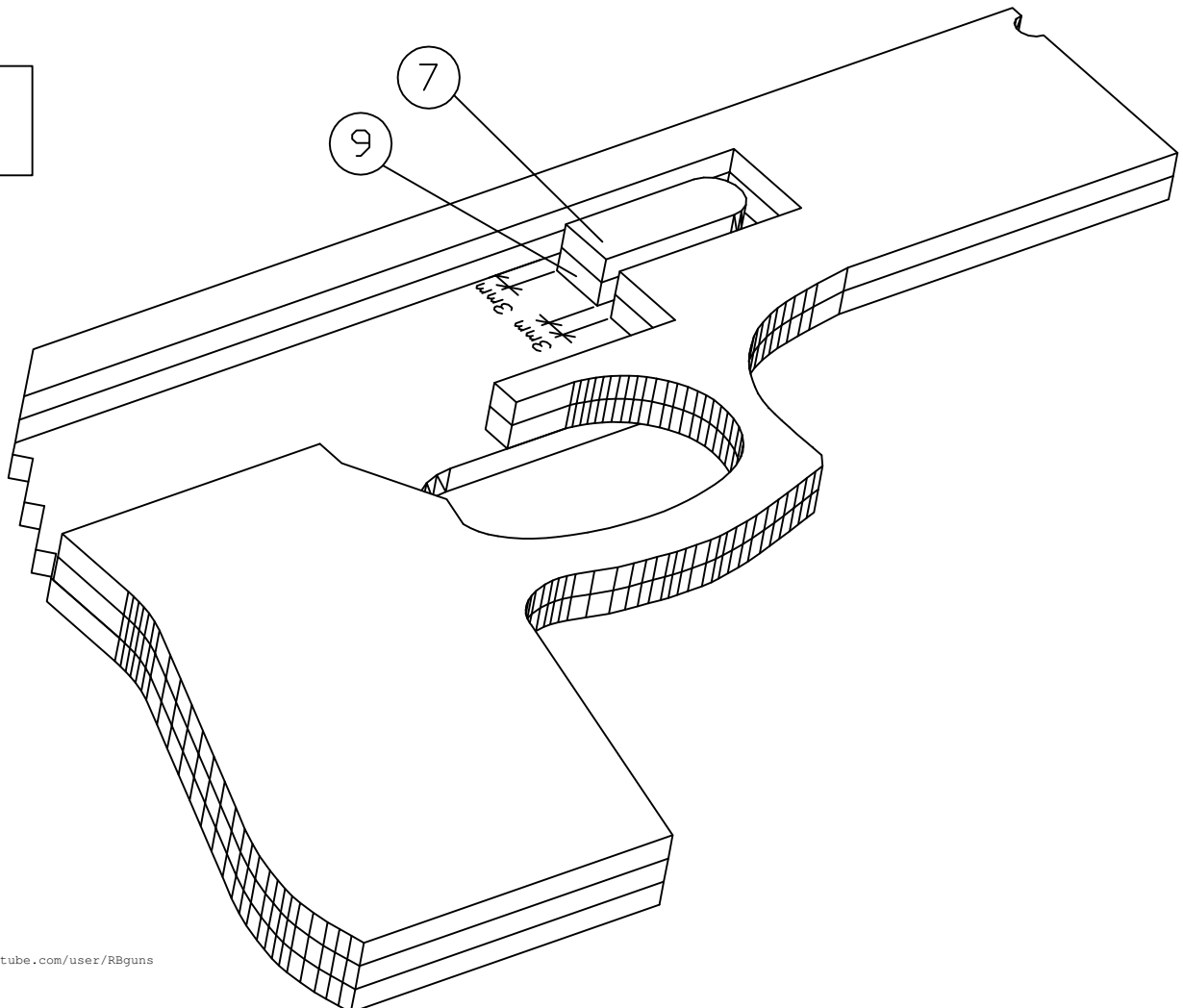
2



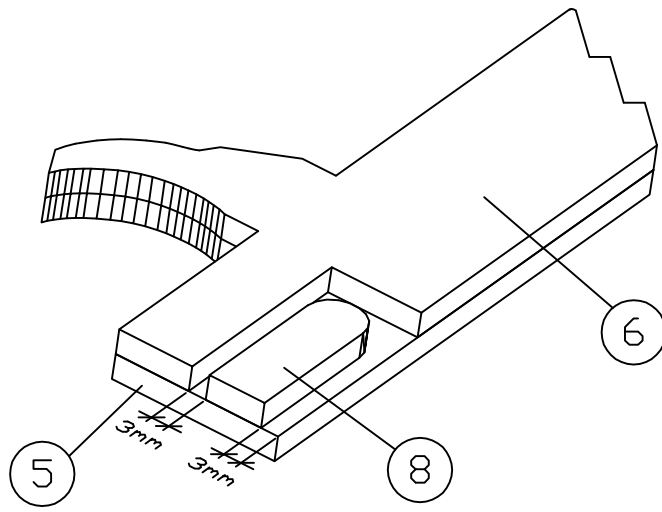
3



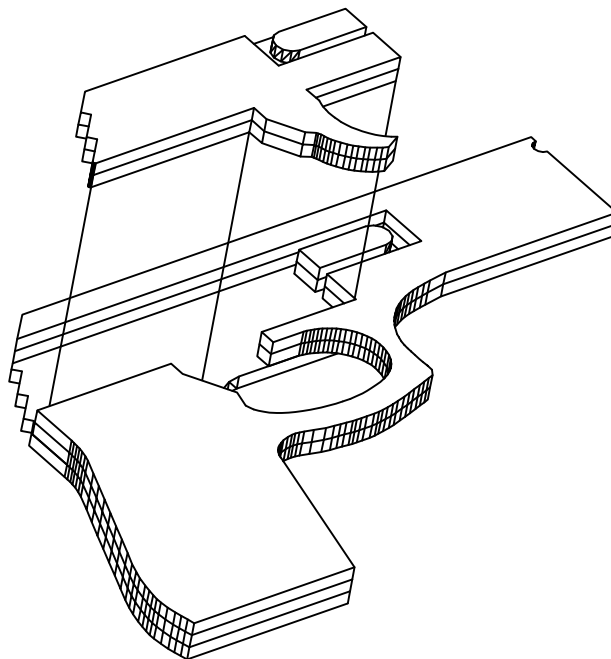
4



5

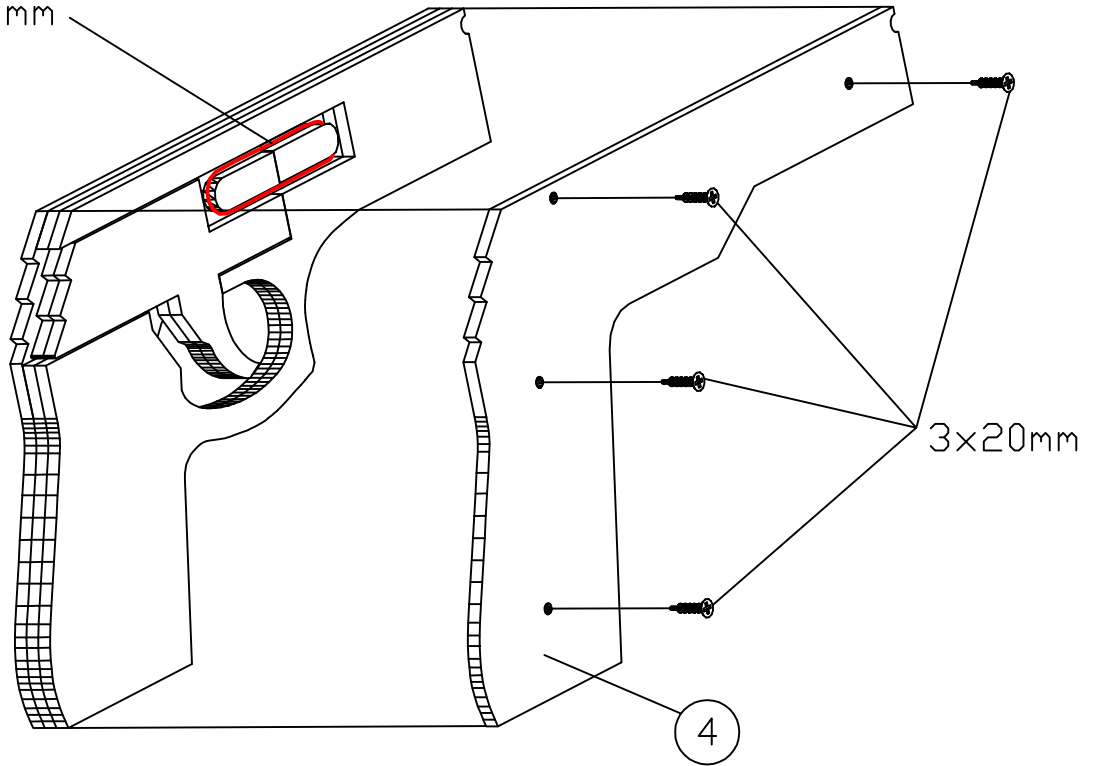


6



7

1x rubber band
ø40mm



8

